

Model No.: XXLS-P830845

Rev: 1

Product Line: Peerless

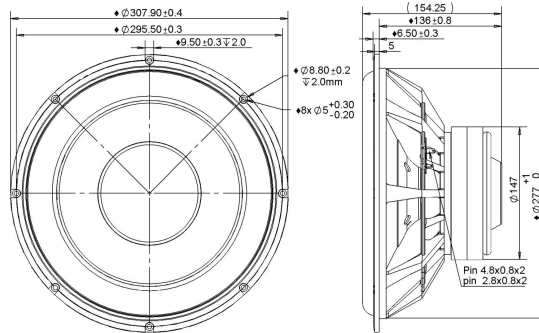
Last Update: 2017-04-25 21:32:09

Product Description

The 12 inch 8 ohm member XXLS product family has all the design features suitable for a high performance, high excursion subwoofer driver. The motor features a double ferrite magnet motor, supporting high excursion, and aluminium shorting rings and pole extenders, lowering and linearizing the inductance of the overhung voice coil. The light stiff composite paper cone is vented under the dust cap, to reduce air compression. The suspension system features a low-creep rubber surround, and a nomex spider, ensuring long-term reliability under high power conditions. The product also features a rigid cast aluminium basket.



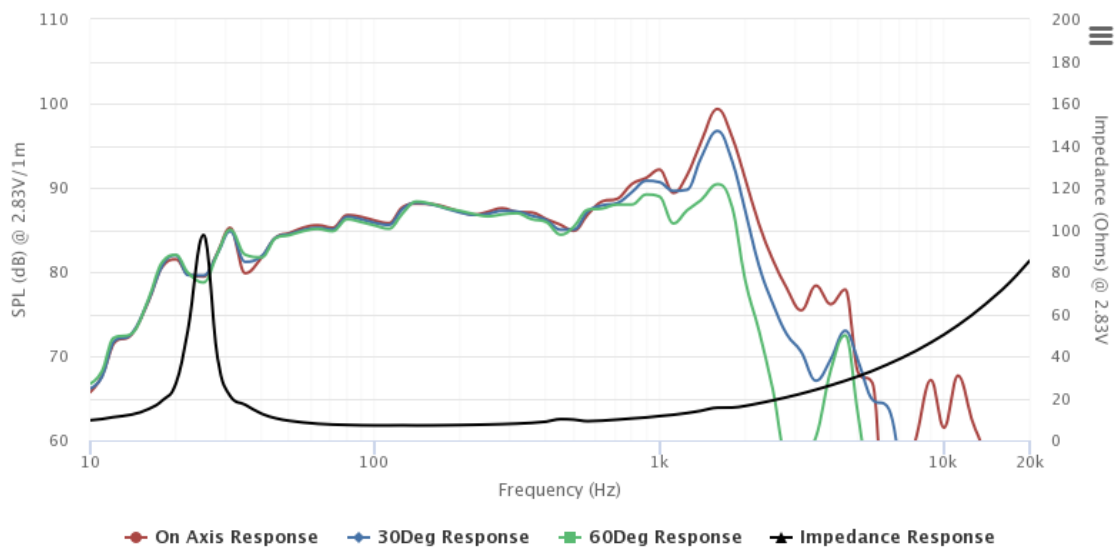
Mechanical Drawing



Specifications

DC Resistance	Revc	Ohms	5.66	5.0%	Energy Bandwidth Product	EBP	(1/Qes)*fs	
Minimum Impedance	Zmin	Ohms	7.09	7.5%	Moving Mass	Mms	g	98.1
Voice Coil Inductance	Le	mH	0.79		Suspension Compliance	Cms	um/N	353
Resonant Frequency	Fs	Hz	27.04	15%	Effective Cone diameter	D	cm	25
Mechanical Q Factor	Qms		8.55		Effective Piston Area	Sd	cm^2	490.9
Electrical Q Factor	Qes		0.55		Effective Volume	Vas	L	119.47
Total Q Factor	Qts		0.52		Motor Force Factor	BL	Tm	13.06
Ratio Fs/Qts	F	Fs/Qts	52		Motor Efficiency Factor	β	(T*M^2)/Ohms	30.1
Half Space Sensitivity @2.83V	db@2.83V/1M	dB	87.45	+/- 1.0db	Voice coil former Material	VCfm		GSV
Half Space Sensitivity @1W/1M	db@1W/1M	dB	86.9	+/- 1.0db	Voice coil inner diameter	VCd	mm	51.32
Gap Height	Gh	mm	8		Rated Noise Power	P	W	175
Maximum Linear Excursion	Xmax	mm	12.5		Test Spectrum Bandwidth		20Hz - 2kHz	
Ferrofluid Type	FF				Driver Size	Inch	12 in	
Driver Mass	Kg		6.36					

Frequency and Impedance Response



Highcharts.com