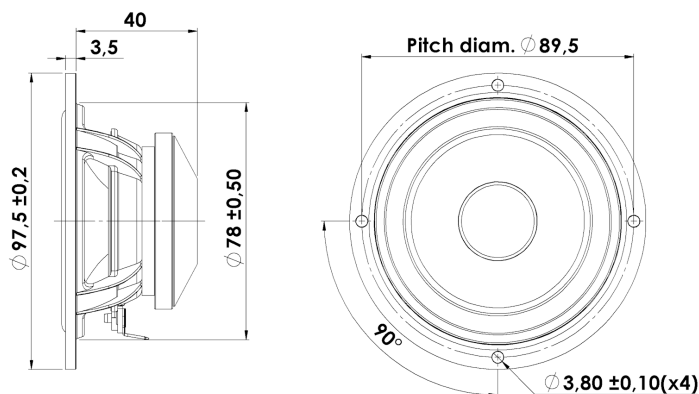


10 cm Fullrange

10F/8424G00



T-S Parameters:

Resonance frequency [fs]	90 Hz
Mechanical Q factor [Qms]	3.49
Electrical Q factor [Qes]	0.41
Total Q factor [Qts]	0.37
Force factor [Bl]	4.8 Tm
Mechanical resistance [Rms]	0.45 kg/s
Moving mass [Mms]	2.77 g
Compliance [Cms]	1.13 mm/N
Effective diaph. diameter [D]	68 mm
Effective piston area [Sd]	36 cm ²
Equivalent volume [Vas]	2.1 l
Sensitivity (2,83V/1m)	86.5 dB

Mechanical Data:

Voice coil diameter	20 mm
Voice coil height	9.2 mm
Voice coil layers	2
Gap height	4 mm
Linear excursion	± 2.6 mm
Max mech. excursion	± 7 mm
Unit weight	0.3 kg
Cabinet Displacement Volume	0.05 l

Electrical Data:

Nominal impedance [Zn]	8 Ω
Minimum impedance [Zmin]	6.5 Ω
Maximum impedance [Zo]	55.2 Ω
DC resistance [Re]	5.8 Ω
Voice coil inductance [Le]	0.13 mH

Power Handling:

100h RMS noise test (IEC 18.4)	15 W
Long-term max power (IEC 18.2)	30 W
X-over:	None

Key Features:

- Very wide Frequency Range
- High Sensitivity 87dB / 2,83V
- Coated NRSC Fibre Glass Cone (patent)
- SBR Rubber Surround
- Compact Size, Neo magnet, Alu. Chassis
- Copper Cap on Pole Piece

Recommendations (please see Tech Note):

- Operating frequency range: 150-12000 Hz
- Cabinet volume - closed box: Vbox=0.9 ltr, f(-3dB)=164 Hz
- Cabinet volume - vented box: Vbox=1.9 ltr, fb=93 Hz, f(-3dB)=95 Hz

