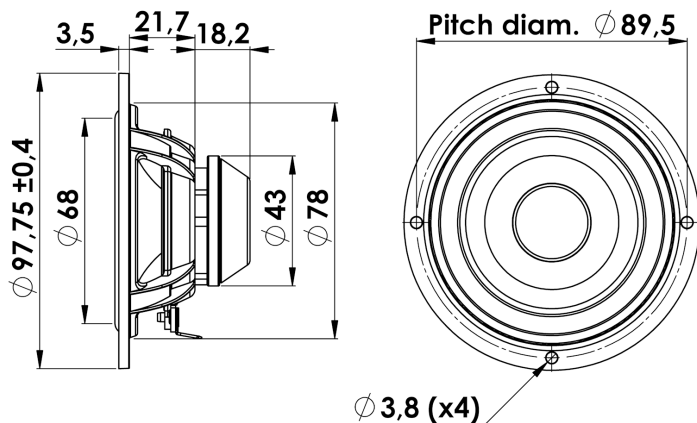


10 cm Midrange

10M/4614G06



### Key Features:

- Very wide Frequency Range
- High Sensitivity 88dB / 2,83V
- Coated NRSC Fibre Glass Cone (patent)
- SBR Rubber Surround
- Compact Size, Neo magnet, Alu. Chassis
- Copper Cap on Pole Piece

### Recommendations (please see Tech Note):

- Operating frequency range: 100-12000 Hz
- Cabinet volume - closed box:  $V_{box}=0.5$  ltr,  $f(-3dB)=200$  Hz
- Cabinet volume - vented box:  $V_{box}=1.5$  ltr,  $f_b=110$  Hz,  $f(-3dB)=106$  Hz

### T-S Parameters:

Resonance frequency [fs]	110 Hz
Mechanical Q factor [Qms]	3.26
Electrical Q factor [Qes]	0.63
Total Q factor [Qts]	0.53
Force factor [Bl]	3.2 Tm
Mechanical resistance [Rms]	0.64 kg/s
Moving mass [Mms]	3 g
Compliance [Cms]	1.1 mm/N
Effective diaph. diameter [D]	68 mm
Effective piston area [Sd]	36 cm <sup>2</sup>
Equivalent volume [Vas]	1.3 l
Sensitivity (2,83V/1m)	88 dB

### Mechanical Data:

Voice coil diameter	20 mm
Voice coil height	9.2 mm
Voice coil layers	2
Gap height	4 mm
Linear excursion	$\pm 2.6$ mm
Max mech. excursion	$\pm 7$ mm
Unit weight	0.3 kg
Cabinet Displacement Volume	0.04 l

### Electrical Data:

Nominal impedance [Zn]	4 $\Omega$
Minimum impedance [Zmin]	3.8 $\Omega$
Maximum impedance [Zo]	34.5 $\Omega$
DC resistance [Re]	3.2 $\Omega$
Voice coil inductance [Le]	0.1 mH

### Power Handling:

100h RMS noise test (IEC 18.4)	- W
Long-term max power (IEC 18.2)	125 W
X-over: 2. order HP Butterworth, 200Hz	

