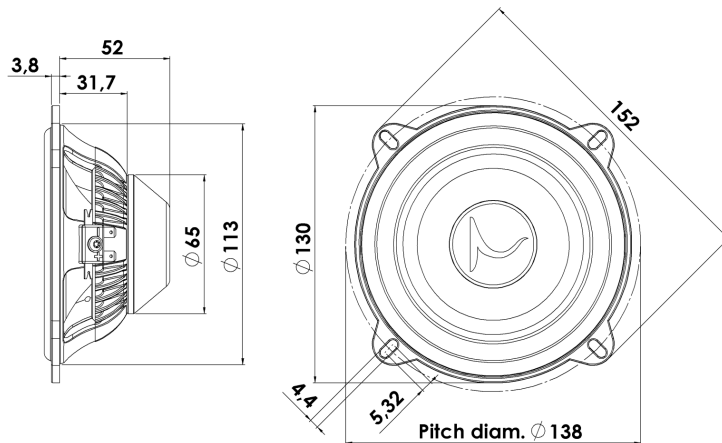




MIDWOOFER

13W/4434G00

The Discovery series offer traditional design, superior sound, a solid construction, and a wide range of variants. Combining these elements - plus a wealth of technical features and finesses - it gives our customers the possibility of acquiring a tailor-made Scan-Speak solution with very good performance at a reasonable low price point!



KEY FEATURES:

- Optimized for Car Use
- Aluminium Die cast Basket
- Black Coated NRSC Fibre Glass Cone
- EURO-DIN mounting flange
- Shallow mounting dimension
- Low Loss Suspension, with Rubber Surround

T-S Parameters

Resonance frequency [fs]	80 Hz
Mechanical Q factor [Qms]	4.41
Electrical Q factor [Qes]	0.65
Total Q factor [Qts]	0.57
Force factor [Bl]	4.8 Tm
Mechanical resistance [Rms]	1.14 kg/s
Moving mass [Mms]	10 g
Compliance [Cms]	0.40 mm/N
Effective diaph. diameter [D]	101 mm
Effective piston area [Sd]	80 cm ²
Equivalent volume [Vas]	3.6 l
Sensitivity (2.83V/1m)	89 dB
Ratio Bl/ \sqrt{Re}	2.77 N/ \sqrt{V}
Ratio fs/Qts	140 Hz

Notes:

IEC specs. refer to IEC 60268-5 third edition.
All Scan-Speak products are RoHS compliant.
Data are subject to change without notice.
Datasheet updated: November 21, 2012.

Electrical Data

Nominal impedance [Zn]	4 Ω
Minimum impedance [Zmin]	3.4 Ω
Maximum impedance [Zo]	23.2 Ω
DC resistance [Re]	3 Ω
Voice coil inductance [Le]	0.35 mH

Power Handling

100h RMS noise test (IEC 17.1)	40 W
Long-term max power (IEC 17.3)	- W

Voice Coil & Magnet Data

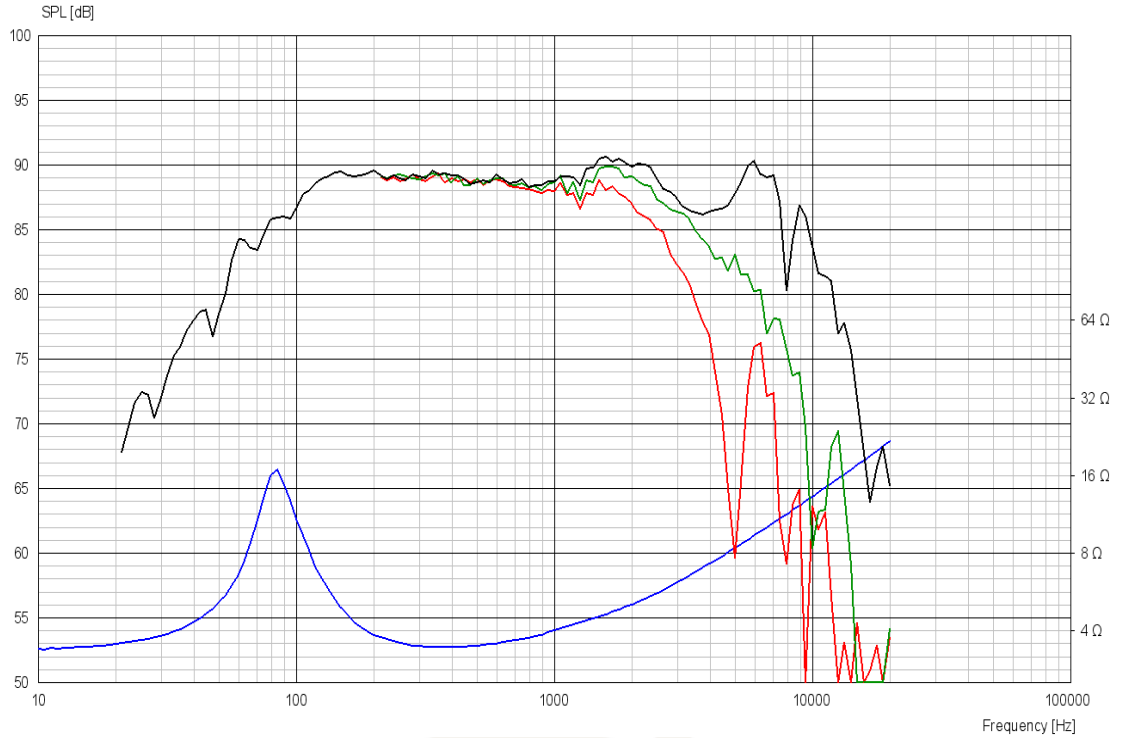
Voice coil diameter	32 mm
Voice coil height	12 mm
Voice coil layers	2
Height of gap	4 mm
Linear excursion	\pm 4 mm
Max mech. excursion	\pm 8 mm
Unit weight	0.5 kg



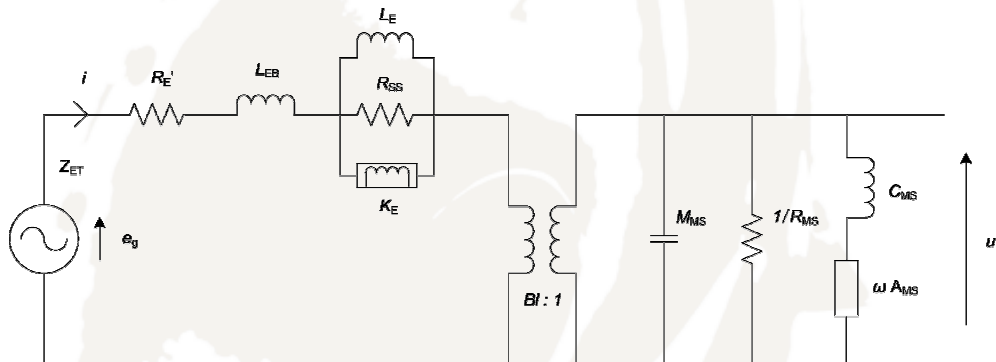
DISCOVERY

MIDWOOFER

13W/4434G00



Advanced Parameters (Preliminary)



Electrical data

Resistance [Re']	3.15 Ω
Free inductance [Leb]	0.0296 mH
Bound inductance [Le]	0.397 mH
Semi-inductance [Ke]	0.0600 SH
Shunt resistance [Rss]	19548 Ω

Mechanical Data

Force Factor [Bl]	4.16 Tm
Moving mass [Mms]	9.53 g
Compliance [Cms]	0.449 mm/N
Mechanical resistance [Rms]	0.566 kg/s
Admittance [Ams]	0.0624 mm/N

