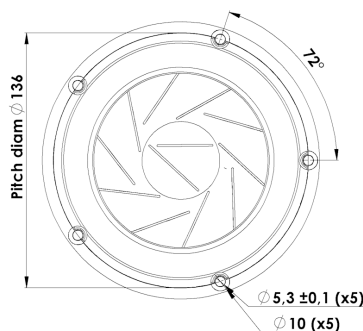
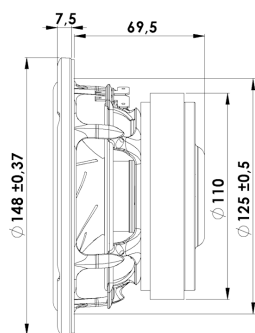


15 cm Midwoofer

15W/8530K00



T-S Parameters:

Resonance frequency [fs]	39 Hz
Mechanical Q factor [Qms]	5
Electrical Q factor [Qes]	0.43
Total Q factor [Qts]	0.39
Force factor [Bl]	6.6 Tm
Mechanical resistance [Rms]	0.64 kg/s
Moving mass [Mms]	13 g
Compliance [Cms]	1.27 mm/N
Effective diaph. diameter [D]	110 mm
Effective piston area [Sd]	95 cm ²
Equivalent volume [Vas]	16 l
Sensitivity (2,83V/1m)	86 dB

Mechanical Data:

Voice coil diameter	38 mm
Voice coil height	18 mm
Voice coil layers	2
Gap height	5 mm
Linear excursion	± 6.5 mm
Max mech. excursion	± 9 mm
Unit weight	1.7 kg
Cabinet Displacement Volume	- l

Electrical Data:

Nominal impedance [Zn]	8 Ω
Minimum impedance [Zmin]	6.7 Ω
Maximum impedance [Zo]	57 Ω
DC resistance [Re]	5.85 Ω
Voice coil inductance [Le]	0.3 mH

Power Handling:

100h RMS noise test (IEC 18.4)	60 W
Long-term max power (IEC 18.2)	110 W
X-over:	None

Key Features:

- Patented Symmetrical Drive Motor Design
- Sliced Cone (Controls Cone Breakups)
- Low-Loss linear suspension
- Low Damping SBR Rubber Surround
- Coated Paper Cone
- Large Ferrite Magnet System

Recommendations (please see Tech Note):

- Operating frequency range: fs-6000 Hz
- Cabinet volume - closed box: Vbox=8 ltr, f(-3dB)=67 Hz
- Cabinet volume - vented box: Vbox=17 ltr, fb=38 Hz, f(-3dB)=38 Hz

