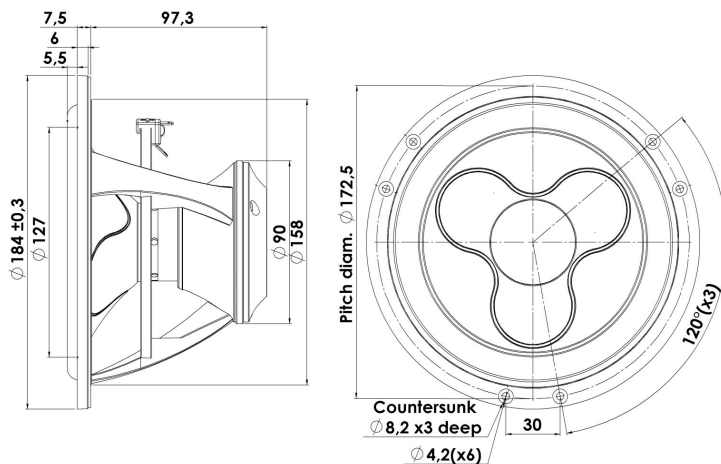




WOOFER

18WU/4747T00

The Illuminator woofers are in every aspect unusual designs with the open construction, the extremely long linear excursion and patented under-hung SD-3 (Symmetrical Drive) neodymium motor system, which due to copper caps and its construction ensures very low distortion, adding the unique patented cones, low-loss linear suspension the result is: "The Very Best Money Can Buy"!



KEY FEATURES:

- Under-Hung Neodymium Motor Design
- Black Anodized Alu. Cone
- Low-Loss linear suspension
- Patented Symmetrical Drive (SD-3)
- Exceptionally Long Linear Excursion
- Patented Design

T-S Parameters

Resonance frequency [fs]	36 Hz
Mechanical Q factor [Qms]	3.72
Electrical Q factor [Qes]	0.39
Total Q factor [Qts]	0.35
Force factor [Bl]	5.9 Tm
Mechanical resistance [Rms]	1.1 kg/s
Moving mass [Mms]	18.1 g
Compliance [Cms]	1.1 mm/N
Effective diaph. diameter [D]	140 mm
Effective piston area [Sd]	154 cm ²
Equivalent volume [Vas]	36 l
Sensitivity (2.83V/1m)	87.7 dB
Ratio Bl/√Re	3.25 N/√W
Ratio fs/Qts	103 Hz

Notes:

IEC specs. refer to IEC 60268-5 third edition.
All Scan-Speak products are RoHS compliant.
Data are subject to change without notice.
Datasheet updated: March 6, 2019.

Electrical Data

Nominal impedance [Zn]	4 Ω
Minimum impedance [Zmin]	4.5 Ω
Maximum impedance [Zo]	32.6 Ω
DC resistance [Re]	3.3 Ω
Voice coil inductance [Le]	0.37 mH

Power Handling

100h RMS noise test (IEC 17.1)	70 W
Long-term max power (IEC 17.3)	150 W

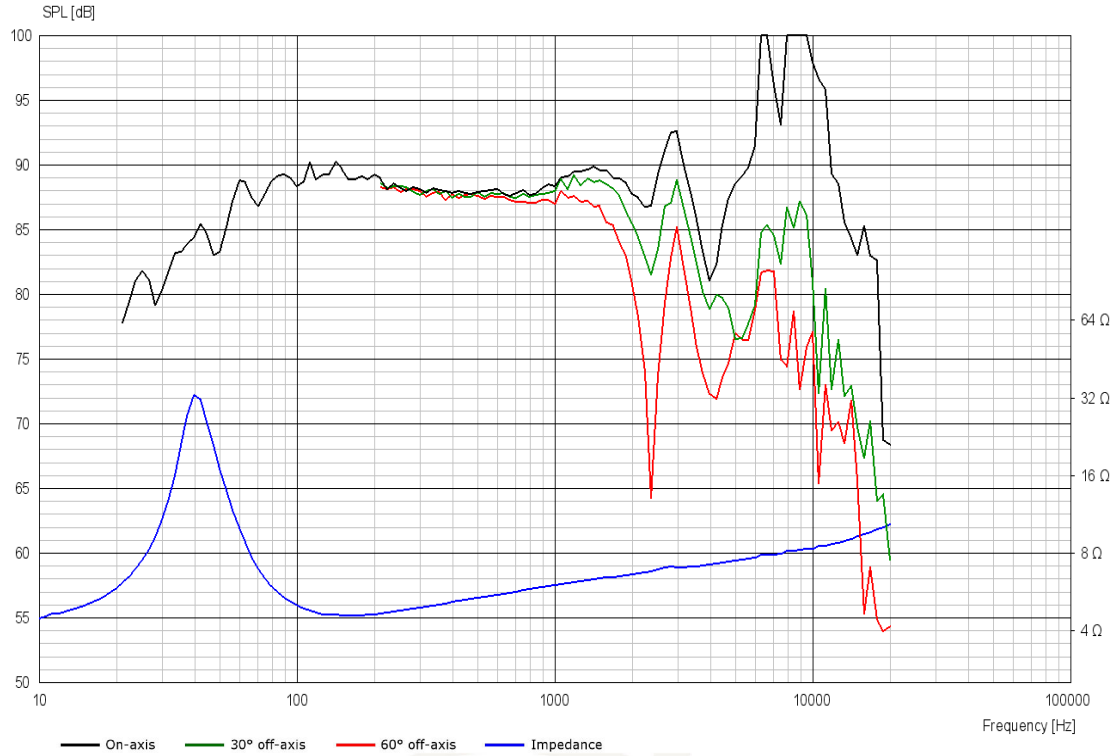
Voice Coil & Magnet Data

Voice coil diameter	42 mm
Voice coil height	8 mm
Voice coil layers	4
Height of gap	20 mm
Linear excursion	± 9 mm
Max mech. excursion	± 16 mm
Unit weight	1.7 kg



WOOFER

18WU/4747T00



Advanced Parameters (Preliminary)



Electrical data

Resistance [$R_{E'}$]	3.51 Ω
Free inductance [L_{EB}]	0.047 mH
Bound inductance [L_E]	4.72 mH
Semi-inductance [K_E]	0.077 SH
Shunt resistance [R_{SS}]	5 Ω

Mechanical Data

Force Factor [Bl]	6.00 Tm
Moving mass [M_{MS}]	18.4 g
Compliance [C_{MS}]	0.84 mm/N
Mechanical resistance [R_{MS}]	1.11 kg/s
Admittance [A_{MS}]	0.15 mm/N