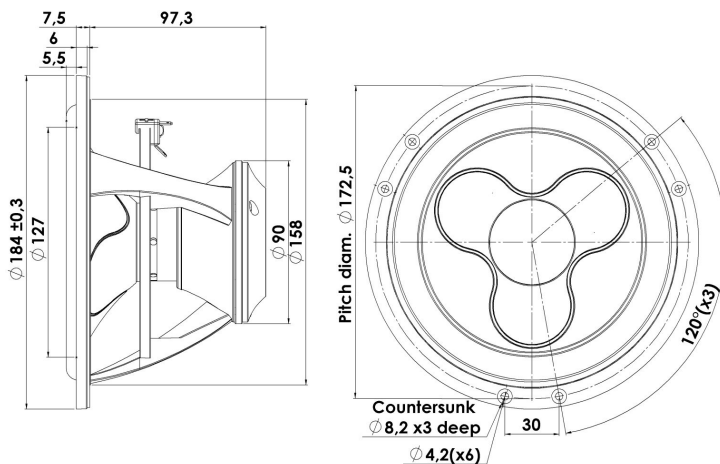




MIDWOOFER

18WU/8741T00

The Illuminator midranges and midwoofers are in every aspect unusual designs with the open construction, the extremely long linear excursion and patented under-hung SD-3 (Symmetrical Drive) neodymium motor system, which due to copper caps and its construction ensures very low distortion, adding the unique patented cones, low-loss linear suspension the result is: "The Very Best Money Can Buy"!



KEY FEATURES:

- Under-Hung Neodymium Motor Design
- Patented Sandwich Paper Cone
- Low-Loss linear suspension
- Patented Symmetrical Drive (SD-3)
- Exceptionally Long Linear Excursion
- Patented Design

T-S Parameters

| | |
|-------------------------------|---------------------|
| Resonance frequency [fs] | 31 Hz |
| Mechanical Q factor [Qms] | 3.51 |
| Electrical Q factor [Qes] | 0.37 |
| Total Q factor [Qts] | 0.33 |
| Force factor [Bl] | 7.5 Tm |
| Mechanical resistance [Rms] | 1.00 kg/s |
| Moving mass [Mms] | 18 g |
| Compliance [Cms] | 1.46 mm/N |
| Effective diaph. diameter [D] | 140 mm |
| Effective piston area [Sd] | 154 cm ² |
| Equivalent volume [Vas] | 48.6 l |
| Sensitivity (2.83V/1m) | 85.4 dB |
| Ratio Bl/√Re | 3.09 N/√W |
| Ratio fs/Qts | 93 Hz |

Notes:

IEC specs. refer to IEC 60268-5 third edition.
All Scan-Speak products are RoHS compliant.
Data are subject to change without notice.
Datasheet updated: March 27, 2013.

Electrical Data

| | |
|----------------------------|---------|
| Nominal impedance [Zn] | 8 Ω |
| Minimum impedance [Zmin] | 7.5 Ω |
| Maximum impedance [Zo] | 61.9 Ω |
| DC resistance [Re] | 5.9 Ω |
| Voice coil inductance [Le] | 0.41 mH |

Power Handling

| | |
|--------------------------------|-------|
| 100h RMS noise test (IEC 17.1) | 80 W |
| Long-term max power (IEC 17.3) | 150 W |

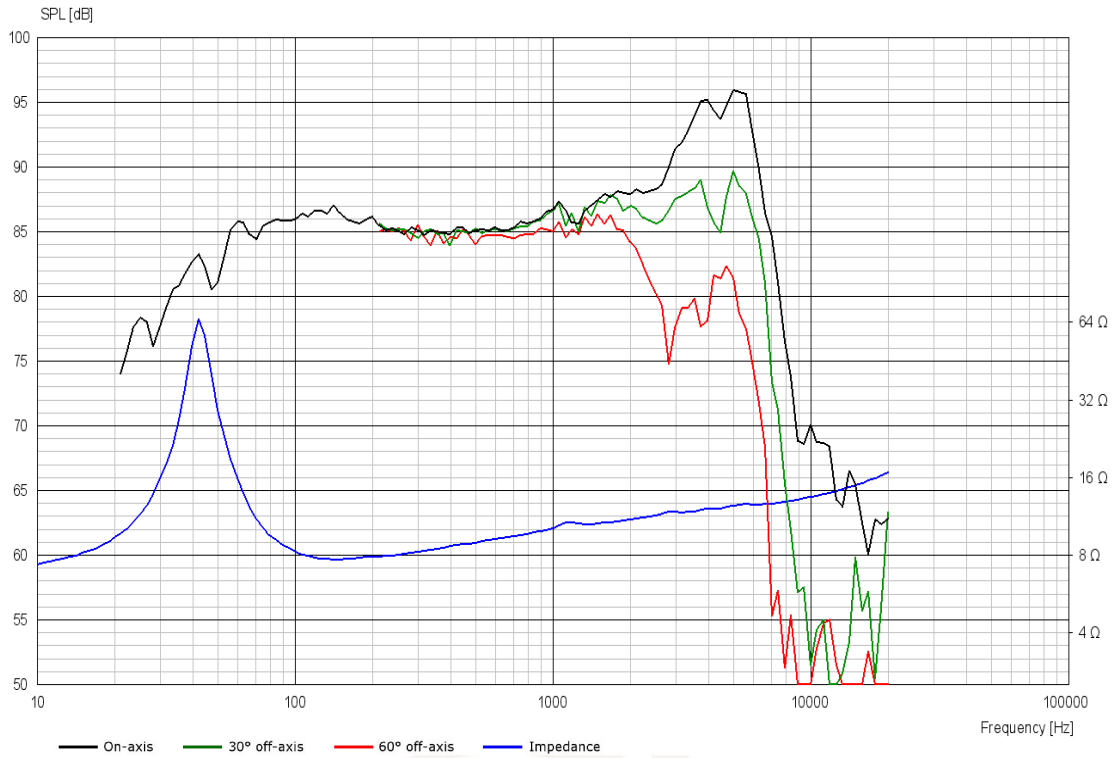
Voice Coil & Magnet Data

| | |
|---------------------|---------|
| Voice coil diameter | 42 mm |
| Voice coil height | 8 mm |
| Voice coil layers | 4 |
| Height of gap | 20 mm |
| Linear excursion | ± 9 mm |
| Max mech. excursion | ± 16 mm |
| Unit weight | 1.7 kg |

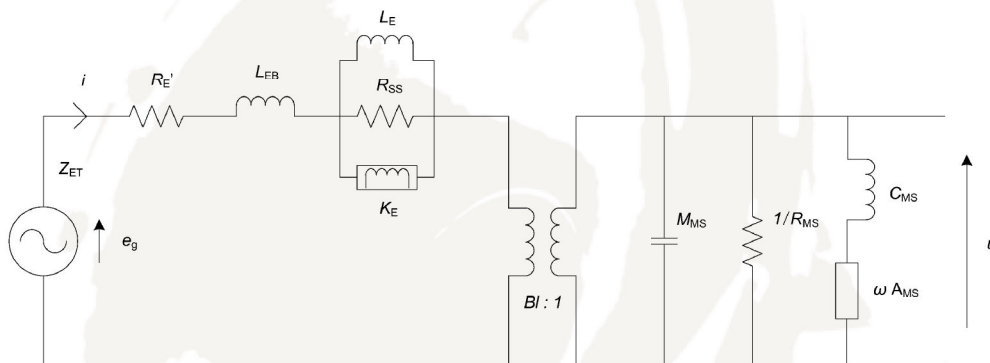


MIDWOOFER

18WU/8741T00



Advanced Parameters (Preliminary)



Electrical data

| | |
|-------------------------------|---------------|
| Resistance [$R_{E'}$] | 5.92 Ω |
| Free inductance [L_{EB}] | 0.0765 mH |
| Bound inductance [L_E] | 6.28 mH |
| Semi-inductance [K_E] | 0.124 SH |
| Shunt resistance [R_{SS}] | 7.47 Ω |

Mechanical Data

| | |
|------------------------------------|------------|
| Force Factor [BI] | 7.25 Tm |
| Moving mass [M_{MS}] | 19.0 g |
| Compliance [C_{MS}] | 1.04 mm/N |
| Mechanical resistance [R_{MS}] | 0.955 kg/s |
| Admittance [A_{MS}] | 0.200 mm/N |