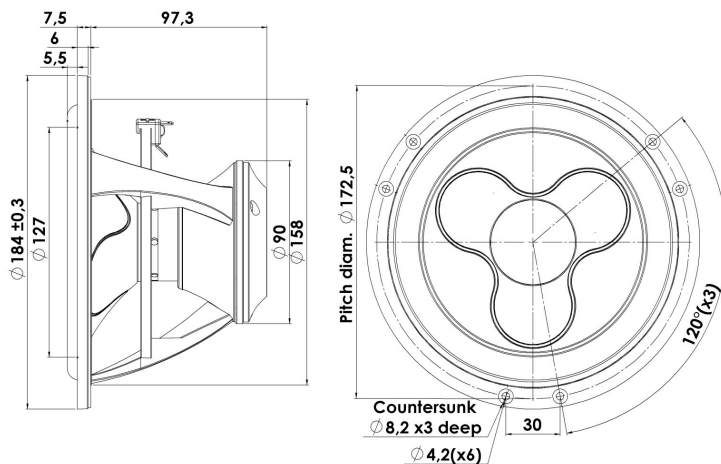




## WOOFER

## 18WU/8747T00

The Illuminator woofers are in every aspect unusual designs with the open construction, the extremely long linear excursion and patented under-hung SD-3 (Symmetrical Drive) neodymium motor system, which due to copper caps and its construction ensures very low distortion, adding the unique patented cones, low-loss linear suspension the result is: "The Very Best Money Can Buy"!



### KEY FEATURES:

- Under-Hung Neodymium Motor Design
- Black Anodized Alu. Cone
- Low-Loss linear suspension
- Patented Symmetrical Drive (SD-3)
- Exceptionally Long Linear Excursion
- Patented Design

#### T-S Parameters

Resonance frequency [fs]	33 Hz
Mechanical Q factor [Qms]	3.31
Electrical Q factor [Qes]	0.35
Total Q factor [Qts]	0.32
Force factor [Bl]	7.5 Tm
Mechanical resistance [Rms]	1.00 kg/s
Moving mass [Mms]	16 g
Compliance [Cms]	1.45 mm/N
Effective diaph. diameter [D]	140 mm
Effective piston area [Sd]	154 cm <sup>2</sup>
Equivalent volume [Vas]	48.3 l
Sensitivity (2.83V/1m)	85.5 dB
Ratio Bl/√Re	3.09 N/√W
Ratio fs/Qts	104 Hz

#### Notes:

IEC specs. refer to IEC 60268-5 third edition.  
All Scan-Speak products are RoHS compliant.  
Data are subject to change without notice.  
Datasheet updated: January 30, 2013.

#### Electrical Data

Nominal impedance [Zn]	8 Ω
Minimum impedance [Zmin]	7.7 Ω
Maximum impedance [Zo]	61.7 Ω
DC resistance [Re]	5.9 Ω
Voice coil inductance [Le]	0.41 mH

#### Power Handling

100h RMS noise test (IEC 17.1)	80 W
Long-term max power (IEC 17.3)	150 W

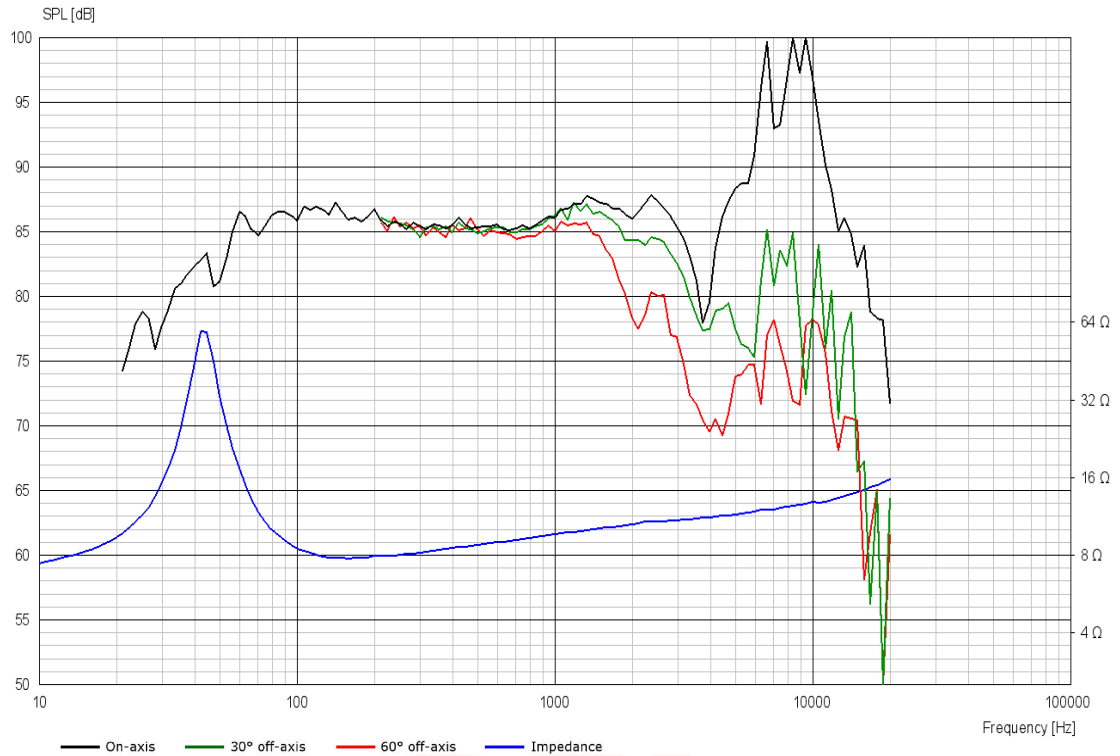
#### Voice Coil & Magnet Data

Voice coil diameter	42 mm
Voice coil height	8 mm
Voice coil layers	4
Height of gap	20 mm
Linear excursion	± 9 mm
Max mech. excursion	± 16 mm
Unit weight	1.7 kg

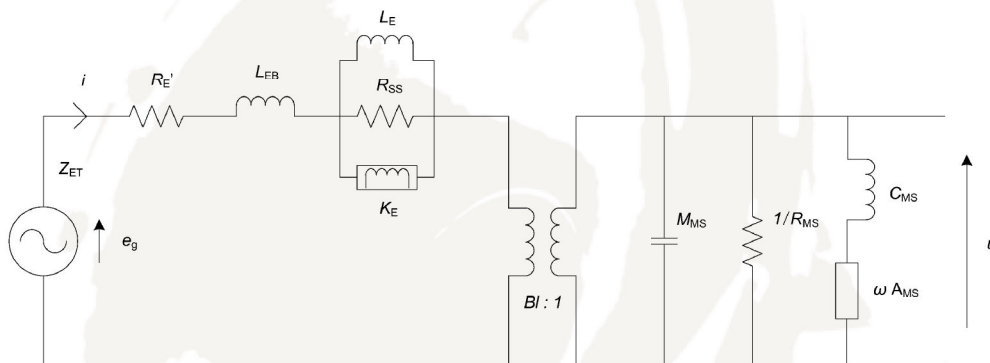


# WOOFER

# 18WU/8747T00



## Advanced Parameters (Preliminary)



### Electrical data

Resistance [ $R_{E'}$ ]	5.81 $\Omega$
Free inductance [ $L_{EB}$ ]	0.074 mH
Bound inductance [ $L_E$ ]	6.57 mH
Semi-inductance [ $K_E$ ]	0.113 SH
Shunt resistance [ $R_{SS}$ ]	7 $\Omega$

### Mechanical Data

Force Factor [ $Bl$ ]	7.09 Tm
Moving mass [ $M_{MS}$ ]	17.3 g
Compliance [ $C_{MS}$ ]	0.81 mm/N
Mechanical resistance [ $R_{MS}$ ]	1.00 kg/s
Admittance [ $A_{MS}$ ]	0.14 mm/N