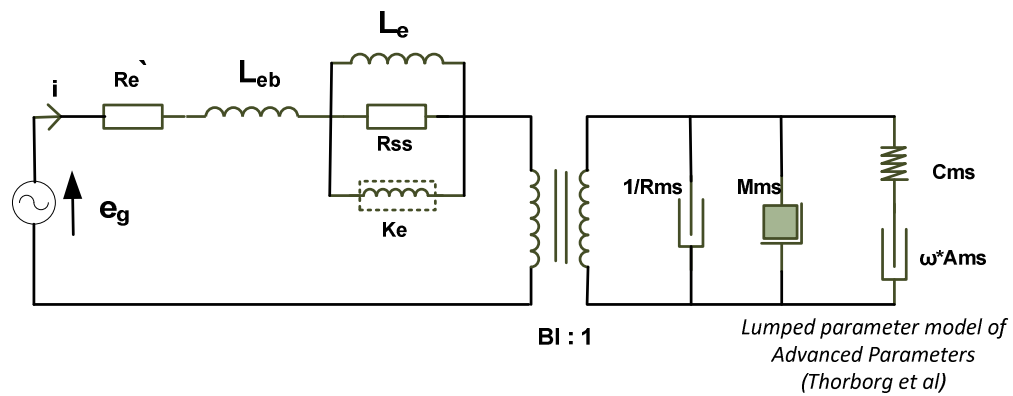


# 26W/4558T00



**Electrical data**

DC resistance ( $R_e'$ )	2.70	[ $\Omega$ ]
Free inductance ( $L_{eb}$ )	0.241	[mH]
Bound inductance ( $L_e$ )	1.75	[mH]
Semi inductance ( $K_e$ )	0.063	SH
Shunt resistance ( $R_{ss}$ )	252	[ $\Omega$ ]

**Mechanical data**

Force factor (BI)	9.55	[Tm]
Moving mass ( $M_{ms}$ )	102.2	[g]
Compliance ( $C_{ms}$ )	0.71	[mm/N]
Admittance ( $A_{ms}$ )	0.06	[mm/N]
Mechanical resistance ( $R_{ms}$ )	1.34	[Ns/m]