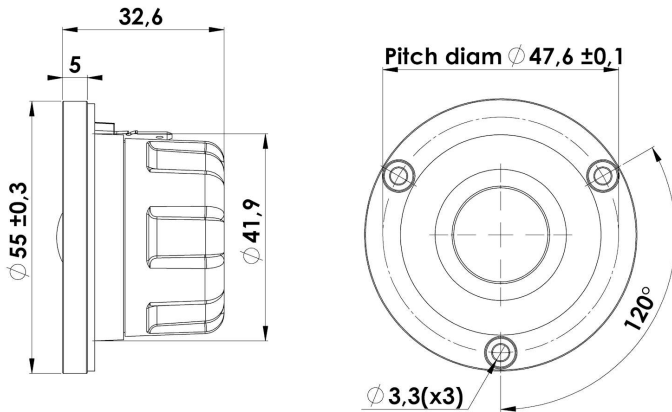


## 19 mm Dome Tweeter

## D2004/602200

### PRELIMINARY DATASHEET



#### T-S Parameters:

Resonance frequency [fs]	550 Hz
Mechanical Q factor [Qms]	3.8
Electrical Q factor [Qes]	1.26
Total Q factor [Qts]	0.95
Force factor [Bl]	1.3 Tm
Mechanical resistance [Rms]	0.2 kg/s
Moving mass [Mms]	0.22 g
Compliance [Cms]	0.38 mm/N
Effective diaph. diameter [D]	24 mm
Effective piston area [Sd]	4.5 cm <sup>2</sup>
Equivalent volume [Vas]	0.01 l
Sensitivity (2,83V/1m)	89 dB

#### Mechanical Data:

Voice coil diameter	19 mm
Voice coil height	1.8 mm
Voice coil layers	2
Gap height	2.5 mm
Linear excursion	± 0.4 mm
Max mech. excursion	± 1.6 mm
Unit weight	0.1 kg
Cabinet Displacement Volume	0.04 l

#### Electrical Data:

Nominal impedance [Zn]	4 Ω
Minimum impedance [Zmin]	3.5 Ω
Maximum impedance [Zo]	11.8 Ω
DC resistance [Re]	2.8 Ω
Voice coil inductance [Le]	0.02 mH

#### Power Handling:

100h RMS noise test (IEC 18.4)	50 W
Long-term max power (IEC 18.2)	120 W
X-over: 2. order HP Butterworth, 3kHz	

#### Key Features:

- 3/4" Textile Dome Diaphragm
- Large Roll Surround f. Wide Dispersion
- Patented Symmetrical Drive (SD-2) motor
- Black Anodized mached Alu Faceplate
- Gold Plated Terminals

#### Recommendations (please see Tech Note):

- Operating frequency range: 3000 - 40000 Hz
- Cabinet volume - closed box: N.a.
- Cabinet volume - vented box: N.a.

