

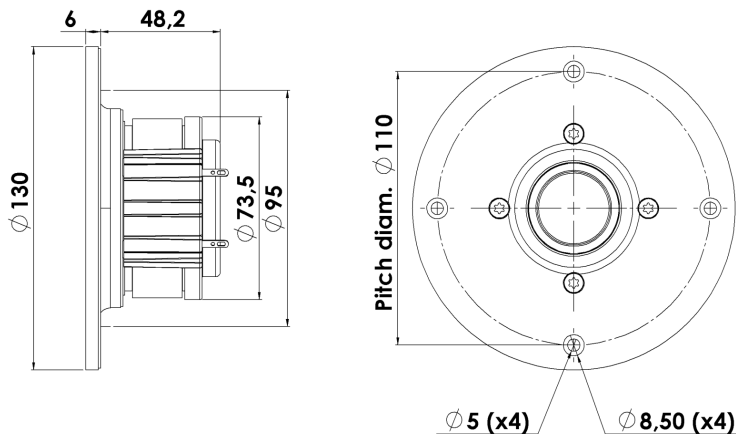


# REVELATOR

## TWEETER

## D2905/990000

D2905/990000 - The original Revelator tweeter - is build on the heritage of our successful Classic tweeters, continuing with Symmetrical Drive (SD-2) motor design which includes copper caps, the non resonant chamber and the special treated textile 29mm dome and further optimized optimized for the ultimate performance utilizing a large machined aluminium wave guide front.



### KEY FEATURES:

- Excellent Sound Reproduction
- Patented Symmetrical Drive (SD-2) motor
- Large Wave Guide Front
- 1" Textile Dome Diaphragm
- Wide Surround Textile Diaphragm
- Black Anodized Mashined Alu Face Plate

#### T-S Parameters

|                               |                     |
|-------------------------------|---------------------|
| Resonance frequency [fs]      | 500 Hz              |
| Mechanical Q factor [Qms]     | 4.83                |
| Electrical Q factor [Qes]     | 0.72                |
| Total Q factor [Qts]          | 0.63                |
| Force factor [Bl]             | 3.5 Tm              |
| Mechanical resistance [Rms]   | 0.29 kg/s           |
| Moving mass [Mms]             | 0.45 g              |
| Compliance [Cms]              | 0.23 mm/N           |
| Effective diaph. diameter [D] | 33 mm               |
| Effective piston area [Sd]    | 8.5 cm <sup>2</sup> |
| Equivalent volume [Vas]       | 0.02 l              |
| Sensitivity (2.83V/1m)        | 91 dB               |
| Ratio Bl/√Re                  | 1.61 N/√W           |
| Ratio fs/Qts                  | 795 Hz              |

#### Notes:

IEC specs. refer to IEC 60268-5 third edition.  
All Scan-Speak products are RoHS compliant.  
Data are subject to change without notice.  
Datasheet updated: January 22, 2014.

#### Electrical Data

|                            |         |
|----------------------------|---------|
| Nominal impedance [Zn]     | 6 Ω     |
| Minimum impedance [Zmin]   | 5.6 Ω   |
| Maximum impedance [Zo]     | 36.1 Ω  |
| DC resistance [Re]         | 4.7 Ω   |
| Voice coil inductance [Le] | 0.01 mH |

#### Power Handling

|                                 |       |
|---------------------------------|-------|
| 100h RMS noise test (IEC 17.1)* | 225 W |
| Long-term max power (IEC 17.3)* | 430 W |

\*Filter: 2. order HP Butterworth, 2.8 kHz

#### Voice Coil & Magnet Data

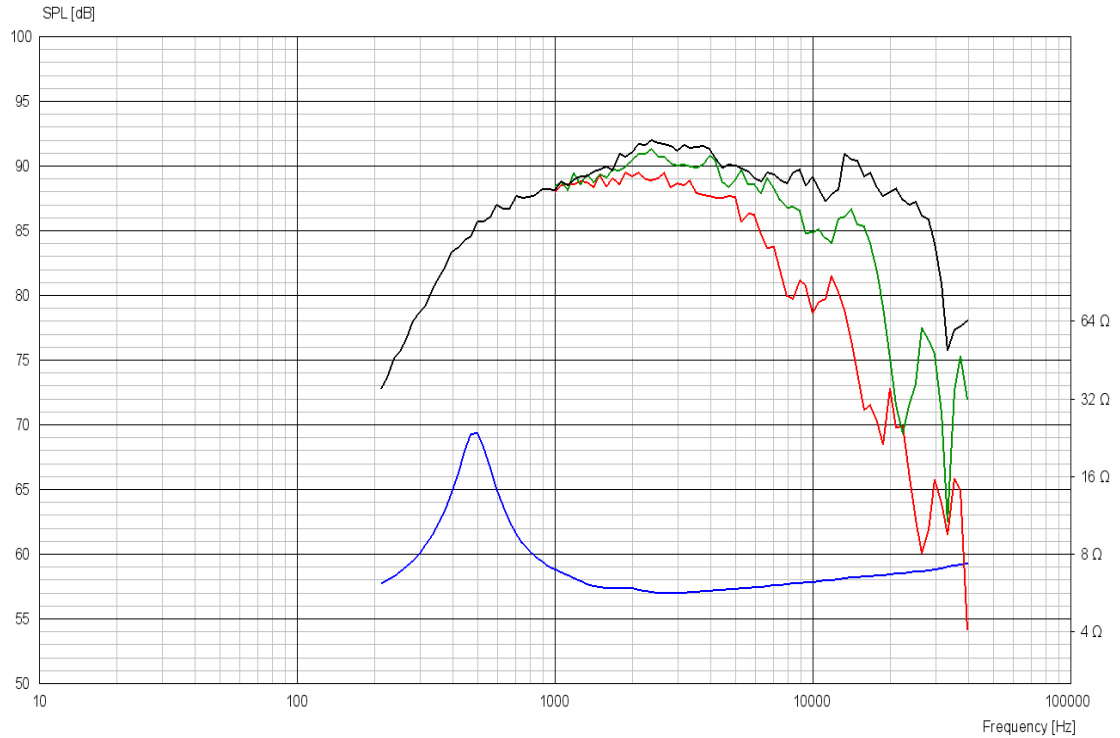
|                     |          |
|---------------------|----------|
| Voice coil diameter | 28 mm    |
| Voice coil height   | 3.3 mm   |
| Voice coil layers   | 2        |
| Height of gap       | 2.5 mm   |
| Linear excursion    | ± 0.4 mm |
| Max mech. excursion | ± 1.5 mm |
| Unit weight         | 0.8 kg   |



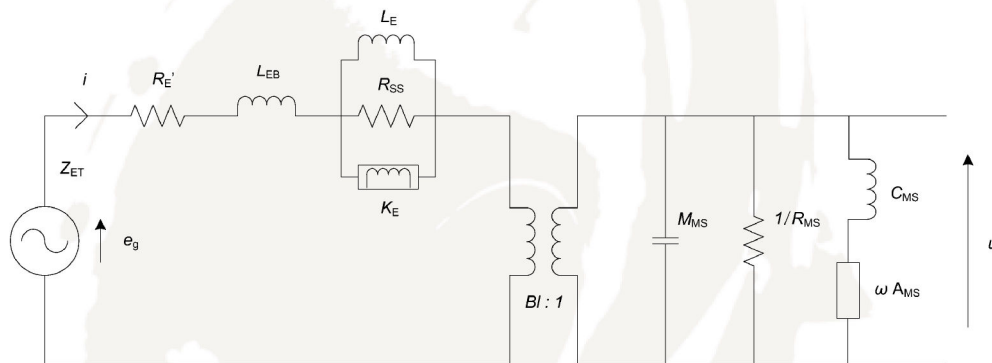
# REVELATOR

## TWEETER

## D2905/990000



### Advanced Parameters (Preliminary)



#### Electrical data

|                               |            |
|-------------------------------|------------|
| Resistance [ $R_{e'}$ ]       | - $\Omega$ |
| Free inductance [ $L_{eB}$ ]  | - mH       |
| Bound inductance [ $L_e$ ]    | - mH       |
| Semi-inductance [ $K_e$ ]     | - SH       |
| Shunt resistance [ $R_{ss}$ ] | - $\Omega$ |

#### Mechanical Data

|                                    |        |
|------------------------------------|--------|
| Force Factor [ $BI$ ]              | - Tm   |
| Moving mass [ $M_{ms}$ ]           | - g    |
| Compliance [ $C_{ms}$ ]            | - mm/N |
| Mechanical resistance [ $R_{ms}$ ] | - kg/s |
| Admittance [ $A_{ms}$ ]            | - mm/N |

