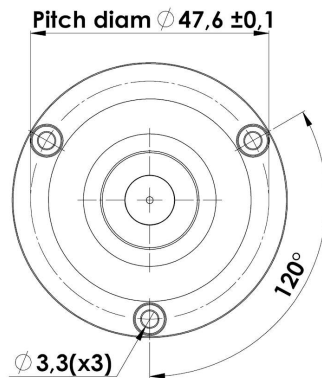
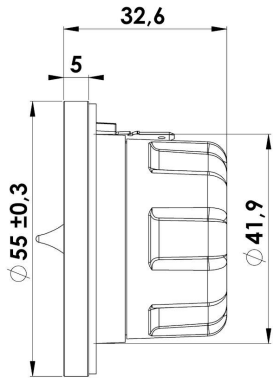


19 mm Dome Tweeter

R2004/602200

PRELIMINARY DATASHEET



Key Features:

- 3/4" Ring Dome Diaphragm
- Patented Phase Plug Design
- Patented Symmetrical Drive (SD-2) motor
- Black Anodized Machined Alu Face Plate
- Gold plated terminals

Recommendations (please see Tech Note):

- Operating frequency range: 3000 - 40000 Hz
- Cabinet volume - closed box: N.a.
- Cabinet volume - vented box: N.a.

T-S Parameters:

Resonance frequency [fs]	625 Hz
Mechanical Q factor [Qms]	2.88
Electrical Q factor [Qes]	1.43
Total Q factor [Qts]	0.96
Force factor [Bl]	1.3 Tm
Mechanical resistance [Rms]	0.3 kg/s
Moving mass [Mms]	0.22 g
Compliance [Cms]	0.29 mm/N
Effective diaph. diameter [D]	22 mm
Effective piston area [Sd]	3.8 cm ²
Equivalent volume [Vas]	0.01 l
Sensitivity (2,83V/1m)	87.5 dB

Mechanical Data:

Voice coil diameter	19 mm
Voice coil height	1.8 mm
Voice coil layers	2
Gap height	2.5 mm
Linear excursion	± 0.4 mm
Max mech. excursion	± 1.6 mm
Unit weight	0.1 kg
Cabinet Displacement Volume	0.04 l

Electrical Data:

Nominal impedance [Zn]	4 Ω
Minimum impedance [Zmin]	3.5 Ω
Maximum impedance [Zo]	16.6 Ω
DC resistance [Re]	2.8 Ω
Voice coil inductance [Le]	0.02 mH

Power Handling:

100h RMS noise test (IEC 18.4)	50 W
Long-term max power (IEC 18.2)	120 W
X-over: 2. order HP Butterworth, 3kHz	

