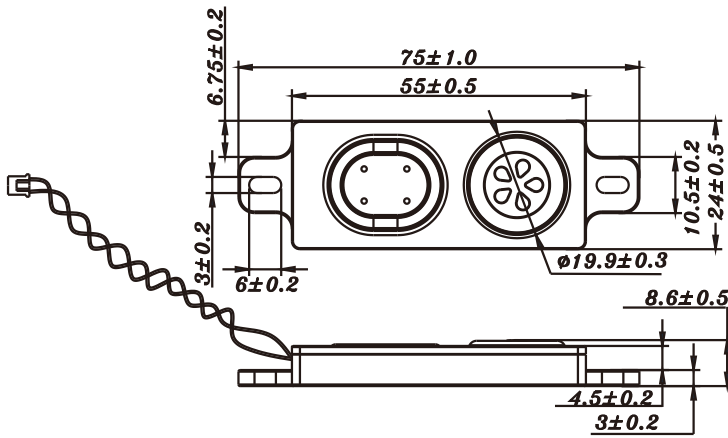


MODULE

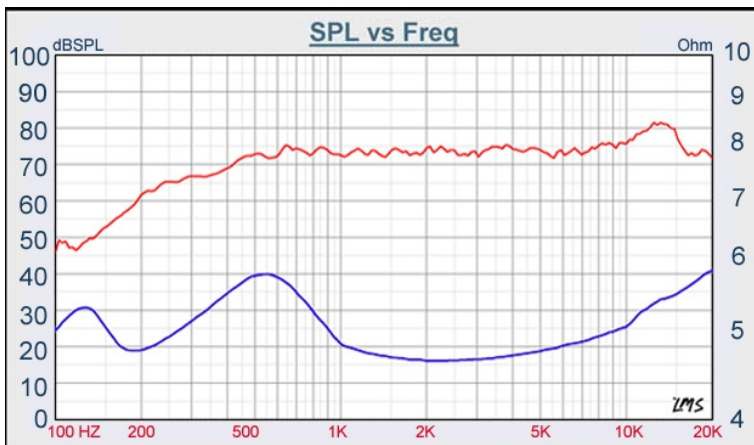
T0-2008S



- TOTAL SOLUTION FOR AUDIO DESIGN.
- COMBINE DRIVER, PASSIVE RADIATOR AND BOX AS ONE UNIT, PATENTED.
- SLIM AND TINY, LOW BASS FO = 200 Hz.
- MODULE COULD BE RESHAPED TO FIT CUSTOMER'S APPLICATION.
- GOOD FOR PORTABLE, SOUNDBAR, MULTIMEDIA. . . APPLICATION.
- MOUNTING KIT WITH AMPLIFIER IS AVAILABLE.

SYSTEM SPECIFICATION

SYSTEM	Passive radiator design
ACTIVE DRIVER	20.8mm dome shape driver
DIAPHRAGM	PP composite with elastomer
HOUSING	PP composite material
FINISH	Black
DIMENSIONS	75 x 24 x 8.6 mm
VOICE COIL DIAMETER	11.8 mm
IMPEDANCE	4ohm
POWER LOADING	0.5 W(RMS)
MUSIC POWER	1 W
RESPONSE RANGE	200Hz - 20KHz
SENSITIVITY	73 dB (M / W)
FO	200 Hz
POWER RECOMMENDED	1W (RMS)
DESIGN SUGGESTION	High pass filter with 180 Hz, -12dB/oct



TB SPEAKERS

VOICE:886.2.26570282 FAX:886.2.26580166
E-MAIL :info@tb-speaker.com