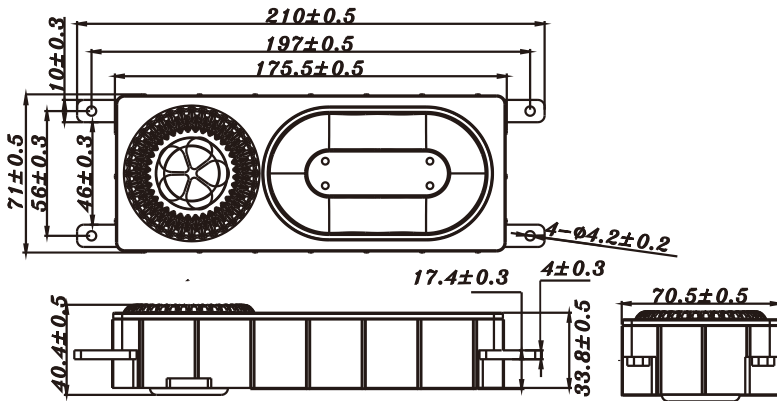


# MODULE

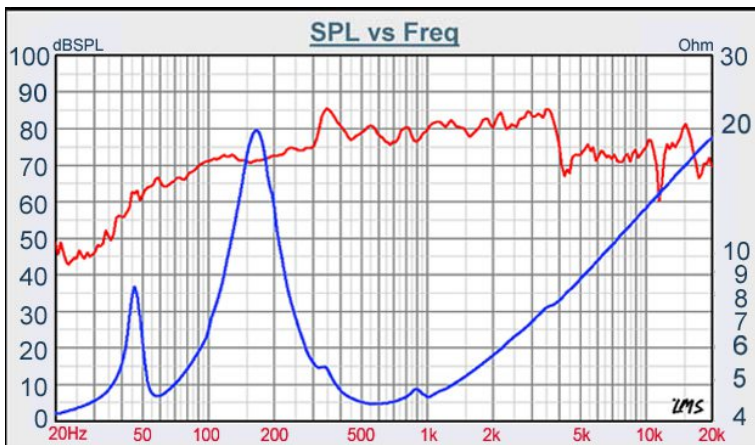
# T2-2181SA



- NEODYMIUM MAGNET, LONG STROKE SUBWOOFER DRIVER.
- PATENTED PASSIVE RADIATOR BOX DESIGN TO MAKE LOW BASS = 58 HZ.
- THIN AND FLAT DESIGN, EASY FOR EXTERIOR DESIGN.
- GOOD FOR PORTABLE, SMART HOME AND VARIETY OF CROSS-INDUSTRY APPLICATIONS THAT NEED LOW-BASS SOLUTIONS.

## SYSTEM SPECIFICATION

SYSTEM	Passive radiator design
ACTIVE DRIVER	57x57mm dome shape driver
DIAPHRAGM	PP composite with elastomer
HOUSING	PP composite material
FINISH	Black
DIMENSIONS	210 x 71 x 40.4mm
VOICE COIL DIAMETER	25.4 mm
IMPEDANCE	4 ohm
POWER LOADING	10 W (RMS)
MUSIC POWER	20 W
RESPONSE RANGE	58Hz - 3KHz
SENSITIVITY 1W / 1m	79 dB
FO	58Hz
POWER RECOMMENDED	20 W (RMS)
DESIGN SUGGESTION	High pass filter with 50Hz, -12dB/oct



**TB** SPEAKERS

VOICE: 886.2.26570282 FAX: 886.2.26580166  
E-MAIL: info@tb-speaker.com