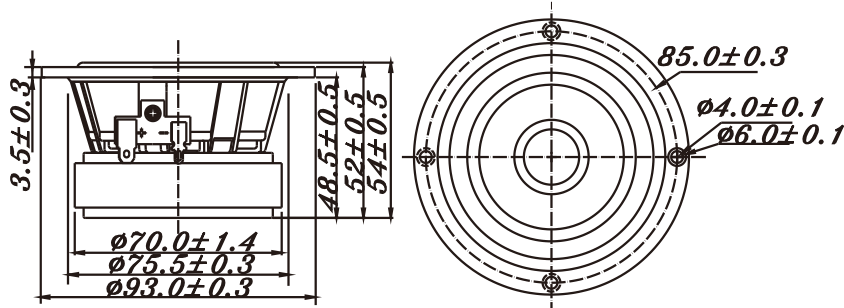


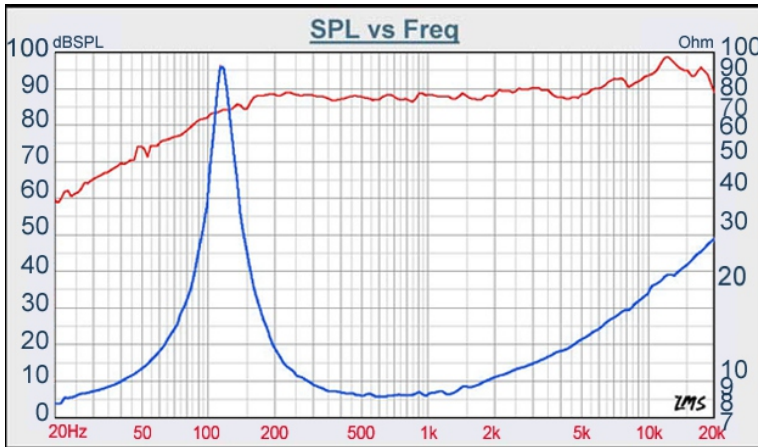
F SERIES

W3-315E



- FULL RANGE FREQUENCY RESPONSE
- DIE CAST BASKET
- ALUM/MG CONE WITH PULUX SURROUND
- CCAW WITH KAPTION BOBBIN

**3" Alum/Mg CONE/
FULL RANGE**



| | |
|-----------------------|-----------------------------|
| DIAPHRAGM MTL | Alum/Mg |
| SURROUND MTL | Santoprene |
| NOMINAL IMPEDANCE | 8 Ω |
| DCR IMPEDANCE | 6.6 Ω |
| SENSITIVITY 1W/1m | 87 dB |
| FREQUENCY RESPONSE | 100 - 20K Hz |
| FREE AIR RESONANCE | 100 Hz |
| VOICE COIL DIAMETER | 20.4 mm |
| AIR GAP HEIGHT | 4 mm |
| RATED POWER INPUT | 10 W |
| MAXIMUM POWER INPUT | 20 W |
| FORCE FACTOR, BL | 3.89 TM |
| TYPE OF MAGNET | Ferrite |
| MOVING MASS | 2.0 g |
| FERROFLUID ENHANCED | No |
| SUSPENSION COMPLIANCE | 1152 μ MN ⁻¹ |
| EFFECTIVE PISTON AREA | 0.0032 M ² |
| Levc | 0.20 mH |
| Zo | 70.40 Ω |
| X-max | 1.25 mm |
| Vas | 1.68 Liter |
| Qts | 0.52 |
| Qms | 5.51 |
| Qes | 0.57 |

TB SPEAKERS

VOICE 886.2.26570282 FAX 886.2.26580166
E-MAIL : info@tb-speaker.com