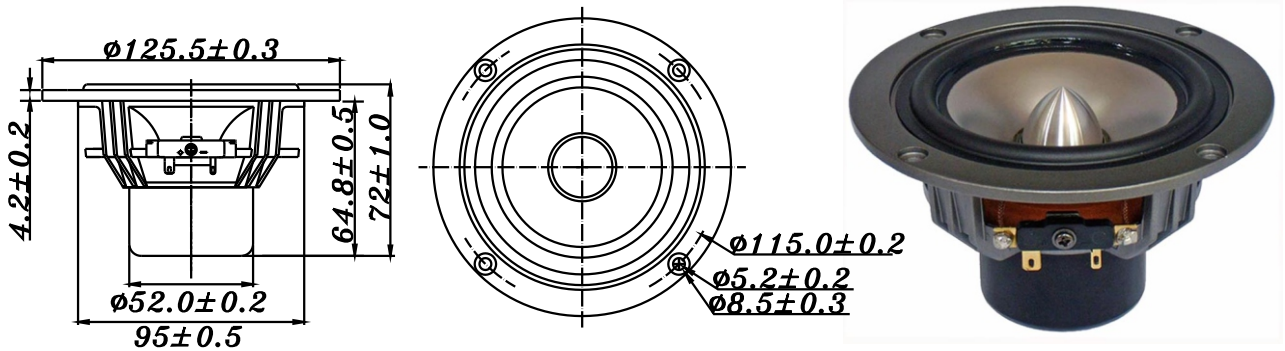


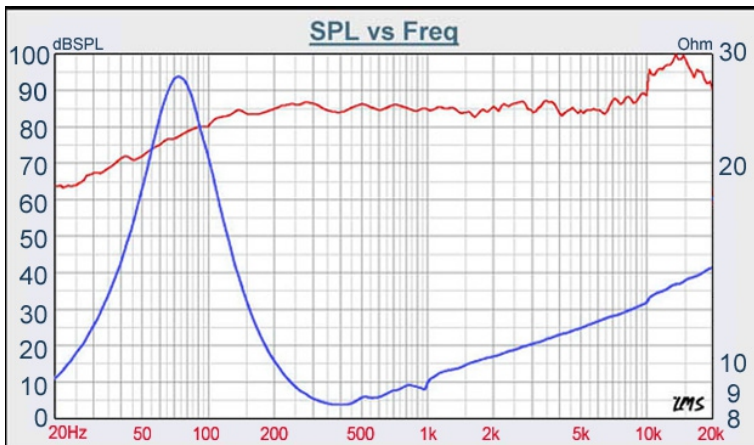
# F SERIES

# W4-1337SD



- FULL RANGE FREQUENCY RESPONSE
- HIGH POWER LOADING DESIGN
- DIE CAST BASKET, TITANIUM COLOR PAINTED, VC VENTED DESIGN
- TITANIUM CONE WITH SANTOPRENE SURROUND
- MAGNETICALLY SHIELDED
- NEODYMIUM DESIGN, UNDERHUNG MOTOR DESIGN
- LOW 2nd, 3rd DISTORTION DESIGN

## 4" TI FULL RANGE



DIAPHRAGM MTL	Titanium
SURROUND MTL	Rubber
NOMINAL IMPEDANCE	8 Ω
DCR IMPEDANCE	6.8 Ω
SENSITIVITY 1W/1M	87 dB
FREQUENCY RESPONSE	70 - 20K Hz
FREE AIR RESONANCE	70 Hz
VOICE COIL DIAMETER	25.4 mm
AIR GAP HEIGHT	10 mm
RATED POWER INPUT	25 W
MAXIMUM POWER INPUT	50 W
FORCE FACTOR, BL	5.37 TM
TYPE OF MAGNET	Neodymium
MOVING MASS	4.61 g
FERROFLUID ENHANCED	No
SUSPENSION COMPLIANCE	1053 μMN <sup>-1</sup>
EFFECTIVE PISTON AREA	0.0057 M <sup>2</sup>
Levc	0.015 mH
Zo	28 Ω
X-max	3 mm
Vas	4.86 Litr
Qts	0.37
Qms	1.51
Qes	0.49

**TB SPEAKERS**

VOICE: 886.2.26570282 FAX: 886.2.26580166  
E-MAIL: info@tb-speaker.com