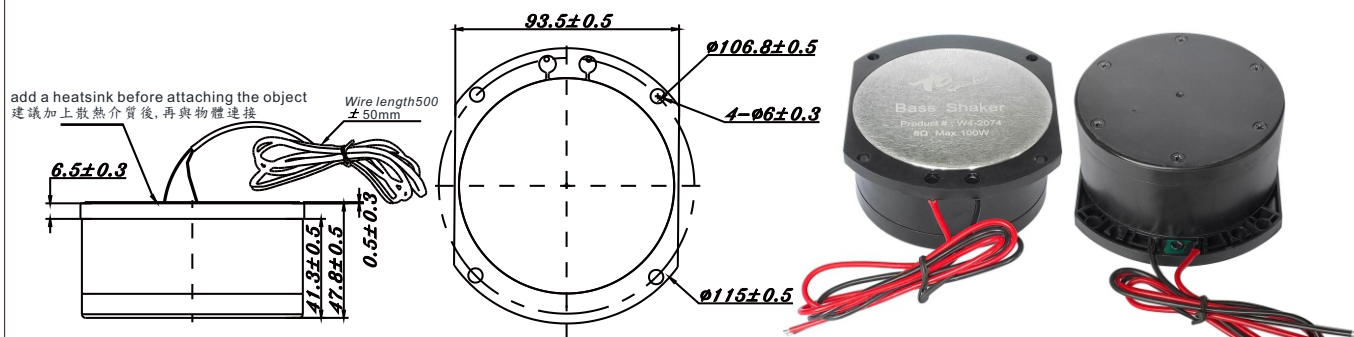


# SU SERIES

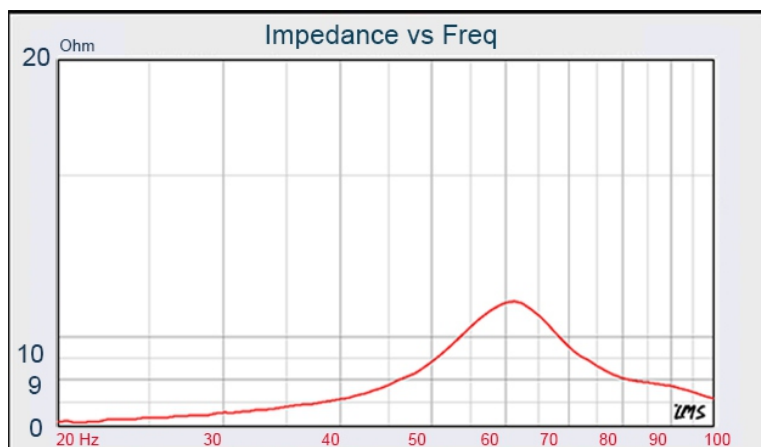
# W4-2074



- 4 INCH BASS SHAKER
- $F_0 = 65\text{Hz}$ , (20~100Hz)
- PATENTED STRUCTURE DESIGN
- NEW MATERIAL APPLIED WITH INJECTION ASSEMBLY PROCESS
- FERRITE MAGNET SYSTEM
- SUBWOOFER BASS SHAKER, APPLICATION FOR MULTI-MEDIA, HOME THEATER, TINY SUBWOOFER ENHENCER, VIDEO GAME SOUND ENHENCER, MASSAGE, VIBRATION GENERATOR

## 4" BASS SHAKER

DIAPHRAGM MTL	N/A
SURROUND MTL	N/A
NOMINAL IMPEDANCE	8 Ω
DCR IMPEDANCE	7.4 Ω
SENSITIVITY 1W/1M	N/A
FREQUENCY RESPONSE	20~100 Hz
FREE AIR RESONANCE	65 Hz
VOICE COIL DIAMETER	25.4 mm
AIR GAP HEIGHT	4 mm
RATED POWER INPUT	28 W
MAXIMUM POWER INPUT	56 W
FORCE FACTOR, BL	N/A
TYPE OF MAGNET	Ferrite
MOVING MASS	N/A
FERROFLUID ENHANCED	N/A
SUSPENSION COMPLIANCE	N/A
EFFECTIVE PISTON AREA	N/A
Levc	N/A
Zo	N/A
Xmax	N/A
Vas	N/A
Qts	N/A
Qms	N/A
Qes	N/A



# TB SPEAKERS

VOICE: 886.2.26570282 FAX: 886.2.26580166  
E-MAIL: info@tb-speaker.com