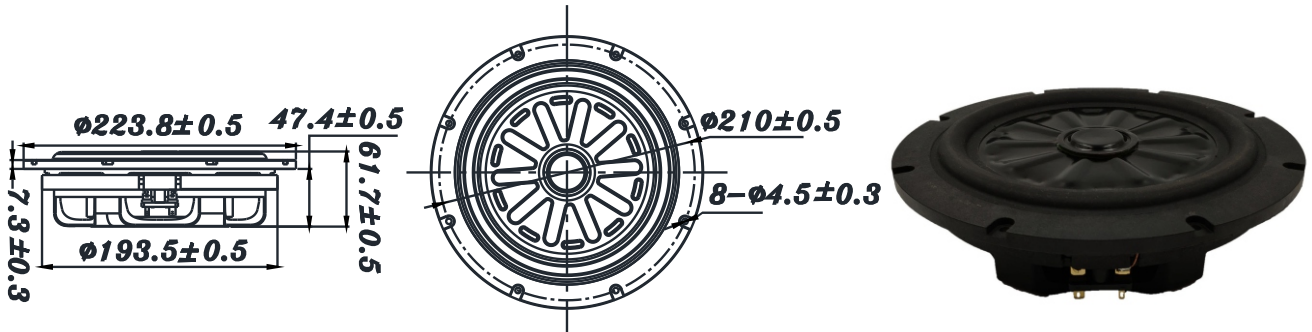


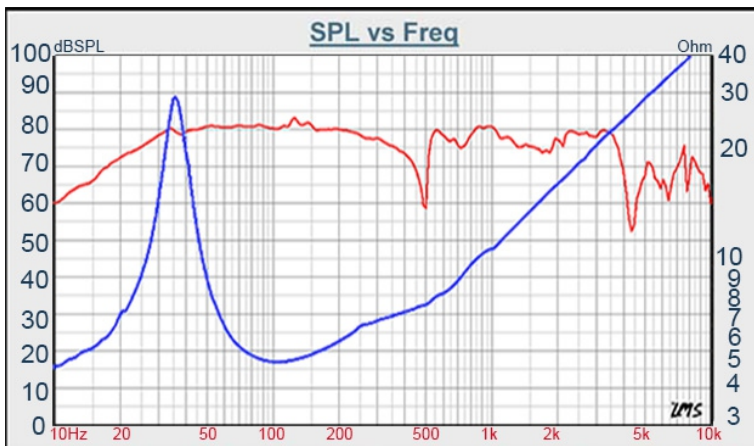
**SU** SERIES

**W8-2282**



- LONG THROW, SHALLOW, HIGH POWER LOADING DESIGN , TOTAL HEIGHT=61.7MM
- FERRITE MOTOR STRUCTURE, VENTED POLE PIECE
- ENGINEERING PLASTIC BASKET
- SUITABLE FOR SUBWOOFER APPLICATION
- ALUMINUM CONE WITH WIDE RANGE TEMPERATURE, LOW LOSS OF SANTOPRENE SURROUND

**8" SUBWOOFER**



DIAPHRAGM MTL	Aluminum cone
SURROUND MTL	Santoprene
NOMINAL IMPEDANCE	4 Ω
DCR IMPEDANCE	3.6 Ω
SENSITIVITY 1W/1m	81 dB
FREQUENCY RESPONSE	35 - 500 Hz
FREE AIR RESONANCE	35 Hz
VOICE COIL DIAMETER	38.5 mm
AIR GAP HEIGHT	6 mm
RATED POWER INPUT	200 W
MAXIMUM POWER INPUT	400 W
FORCE FACTOR, BL	10.76 TM
TYPE OF MAGNET	Ferrite
MOVING MASS	108.2 g
FERROFLUID ENHANCED	No
SUSPENSION COMPLIANCE	188.19 $\mu\text{MN}^{-1}$
EFFECTIVE PISTON AREA	0.022 $\text{M}^2$
Levc	1.57 mH
Zo	28 Ω
X-max	5 mm
Vas	12.93 Litr
Qts	0.66
Qms	5.52
Qes	0.75



VOICE:886.2.26570282 FAX:886.2.26580166  
E-MAIL :info@tb-speaker.com