

TEAX14C02-8 Compact Audio Exciter



Features

- Impedance: 8 ohm nominal
- Dimensions: 37mm x 20mm
- Thickness: 9.85mm
- Mass: 12.8g
- Nominal power rating 2.0W RMS
- Self-adhesive fixing (3M VHB 9473PC)

Applications

- Ultra slim and compact loudspeakers
- Portable, hand held audio devices
- In car, hands free speaker product

Parameters

Description

The TEAX14C02-8 is a compact, highly optimised electrodynamic transducer.

The exciter is designed to be attached to the reverse side of a rigid panel to generate sound.

This exciter is ideal for applications where space is limited.

Parameter	Description	min	typ	max	Units
R_e	DC resistance	-15%	7.8	+15%	Ohms
L_e	Inductance (@ 10kHz)	-15%	0.13	+15%	mH
BL	Force factor	-	2.4	-	T.m
f_s	Free coil resonance	-10%	600	+10%	Hz
f_m	Magnet resonance	-10%	100	+10%	Hz
M_{ms}	Moving mass	-	355	-	mg
M_{mm}	Magnet mass	-	12.7	-	g
C_{ms}	Compliance	-	$0.20e^{-3}$	-	$m.N^{-1}$
R_{ms}	Suspension Loss	-	$60e^{-3}$	-	$N.s.m^{-1}$
dDrv	Voice coil diameter	-	14	-	mm

Operating conditions

Condition	Value
Continuous power handling (weighted pink noise)	2.0W
Burst power handling (weighted pink noise)	>2.0 W
Operating temperature range	-20 to 55° C
Audio frequency range	300Hz to 20kHz

Response

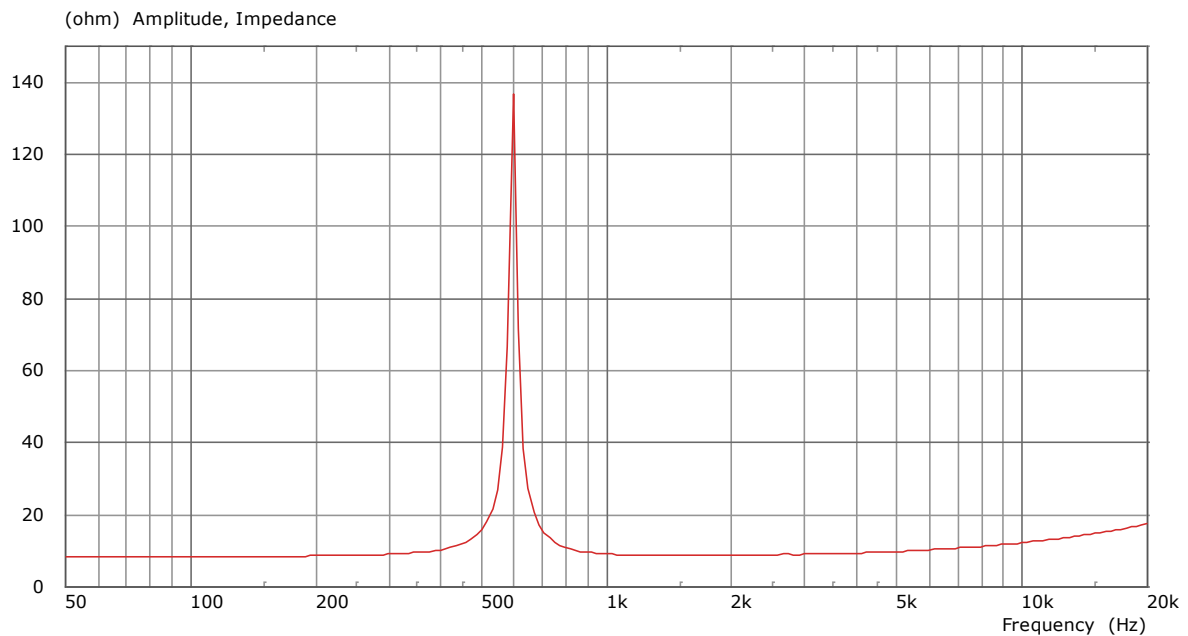


Figure 1. Impedance vs. frequency

Outline Drawing

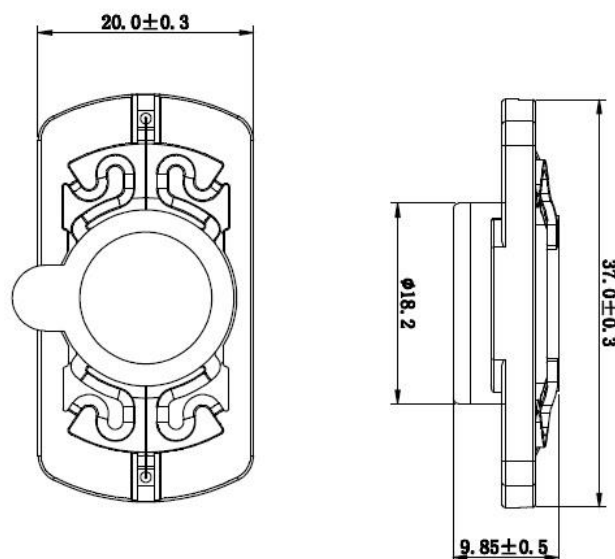


Figure 2. Nominal dimensions