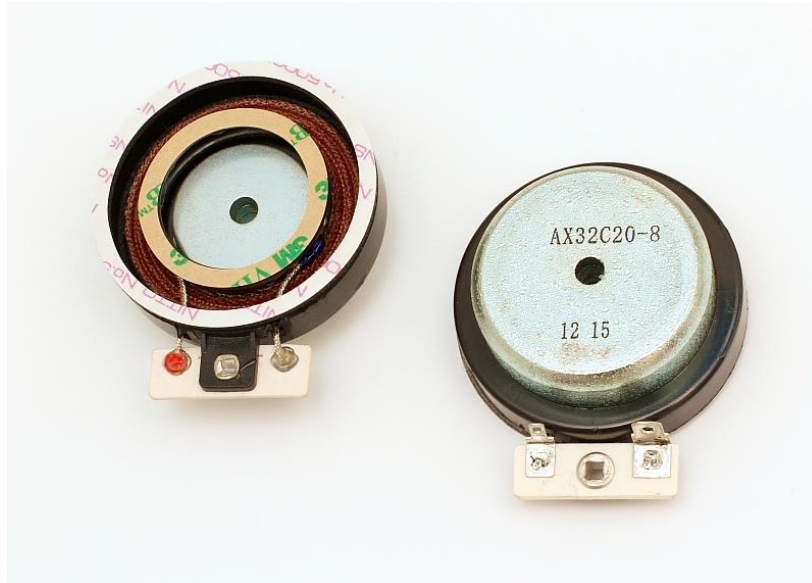


TEAX32C20-8 High Power Exciter



Features

- Wide bandwidth and wide directivity
- Impedance: 8 ohm nominal
- Outside Diameter 51.2mm
- Thickness: 22.5mm
- Mass: 150g

Applications

- Signage
- Interactive displays
- Industrial control

Parameters

Parameter	Description	min	typ	max	Units
R_e	DC resistance	-10%	7.4	+10%	Ohms
L_e	Inductance (@ 10kHz)	-10%	1.0	+10%	mH
BL	Force factor	-10%	7.4	+10%	Tm
f_s	Resonance frequency	-20%	400	+20%	Hz
f_m	Magnet resonance	-20%	90	+20%	Hz
d_{Drv}	Voice coil diameter		32		mm
M_{ms}	Moving mass		3.4		g
C_{ms}	Compliance		0.046		mmN ⁻¹
R_{ms}	Suspension Loss		0.85		Nsm ⁻¹

Description

The TEAX32C20-8 high power 32mm voice coil 8ohm exciter provides high electro-magnetic efficiency and exceptional power handling. It is designed for commercial and industrial audio, driving heavy, rigid surfaces.

Operating conditions

Condition	Value
Continuous power handling(weighted pink noise)	10W
Burst power handling(weighted pink noise)	>20 W
Operating temperature range	-20 to 55° C
Audio frequency range	100Hz to 15kHz

Response

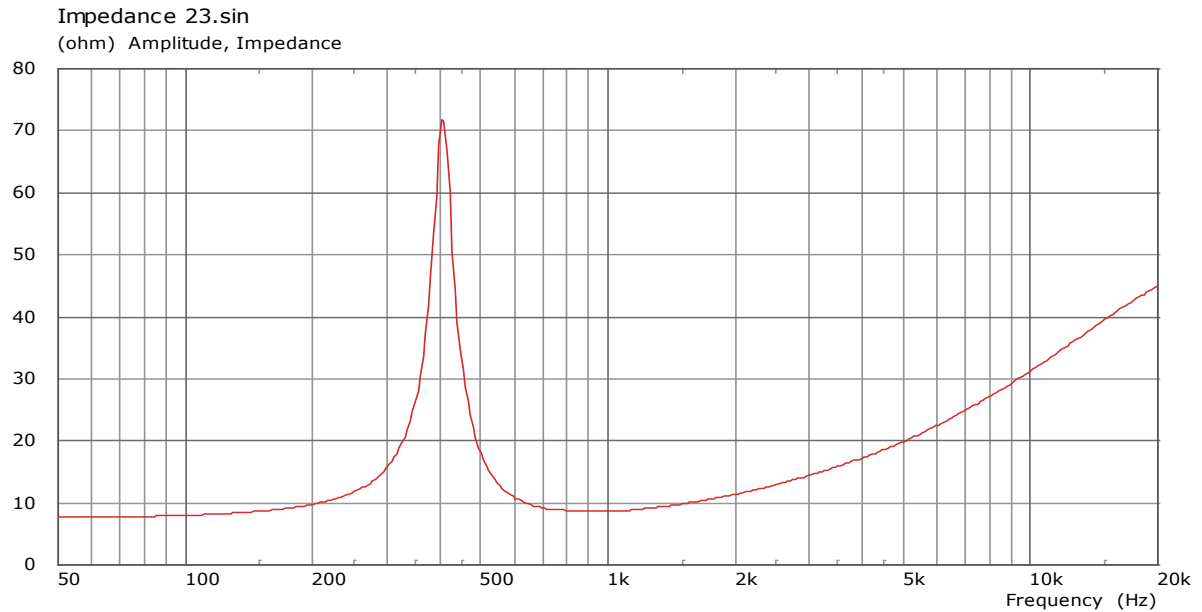


Figure 1. Impedance vs. frequency, free coil.

Outline Drawing

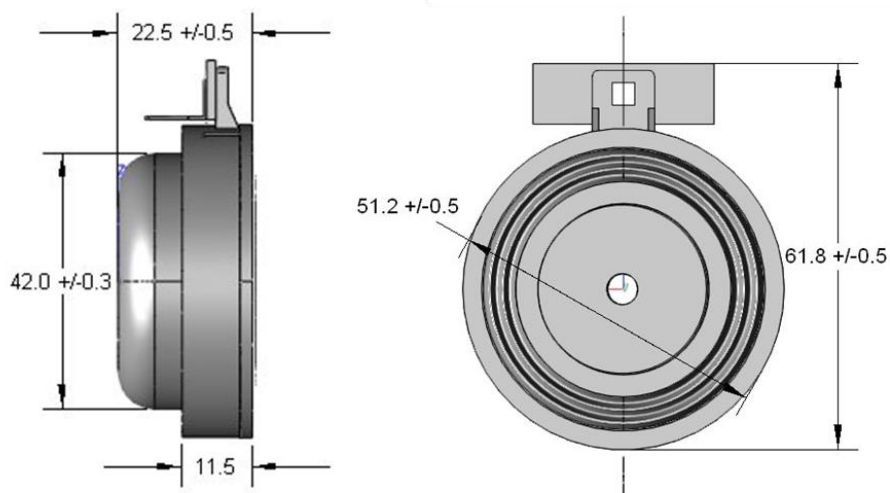


Figure 2. Nominal dimensions.

Disclaimer: The information in this Data Sheet is subject to change without notification.

Please note: you should check that your intended application of this Tectonic product does not infringe the patent (or other intellectual property) of any third party. Tectonic does not give any warranty in this regard. Please see <http://www.tectonicelements.com> for Terms and Conditions of Sale.