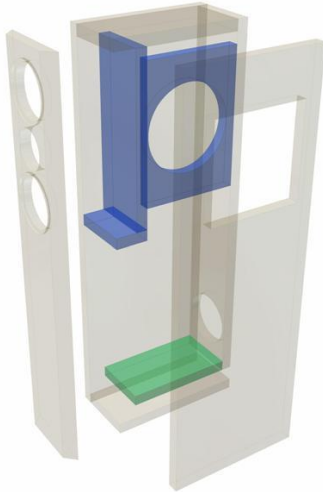


VOX 80

Exploded drawing



Assembly

In the lower part of the cabinet, you can see the tunnel, made up of the base and an upper board. At the top of the cabinet, behind the cut-out in the baffle for the mid- to high-range unit, is the enclosure required for the mid-range cone, made up of two wooden boards. Three 8 mm holes has to be drilled into the rear board of the mid-range enclosure for the connection leads. These holes have to be sealed well. Fitting the F 8 SC - 8 Ohm into the side is a special feature. The mounting board for the F 8 SC - 8 Ohm (125 x 87 with a 78 mm cut-out) itself is glued in place from inside behind the square cut-outs in the corresponding side panel. For optical reasons the side panel cut-out must be made extremely accurately. The grille will be fitted into this cut-out after completion of the cabinet. The crossover unit is placed into the cabinet through the cut-out of the woofer and simply laid into the damping material.

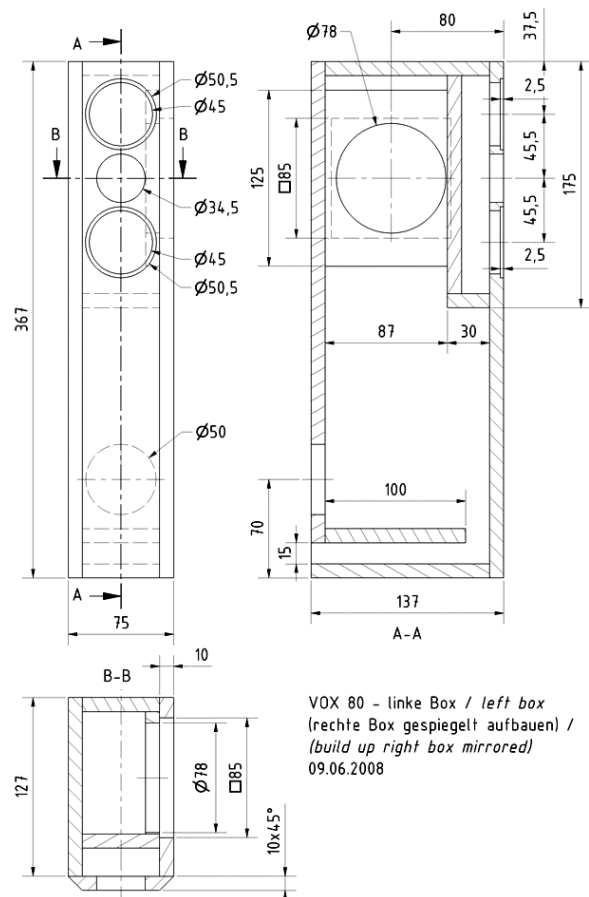
Inner Damping

Cut two strips from the damping material around 5 cm wide and 30 cm long and place them longitudinally in the cabinets. An additional 5 cm wide strip is cut to make two strips 10 cm long and these are inserted in the cabinets, after the crossovers have been fitted, above and below the woofer.

Cabinet part list for 1 box

Parts	Size(mm)	Quantity
Material	10 mm MDF or plywood	
Front	75 x 367	1
Side panels	127 x 367	2
Bottom panel	127 x 55	1
Rear panel	342 x 55	1
Top panel	117 x 55	1
Bass reflex channel	100 x 55	1
Midrange rear panel	155 x 55	1
Midrange bottom panel	30 x 55	1
Mounting board woofer	125 x 87	1

Sketch



VOX 80 - linke Box / left box
 (rechte Box gespiegelt aufbauen) /
 (build up right box mirrored)
 09.06.2008

Crossover

VOX 80 (Stand 21.05.2015)

