



XTREME SERIES

Xtreme Audio Performance
at an Unbeatable Price!

XT32MR SPECIFICATIONS

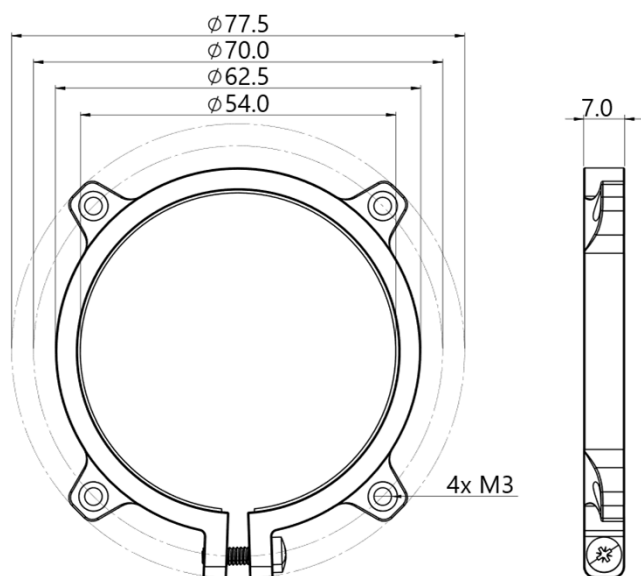


- > Xtreme Easy Installation
- > Xtreme High Quality
- > Designed for XT32-4/8
- > Two Mounting Options
- > Designed in Germany

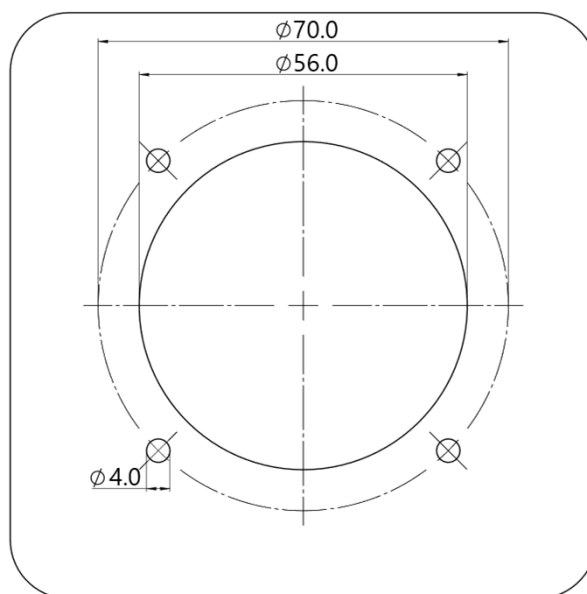
XT32MR SPECIFICATIONS

Physical Properties

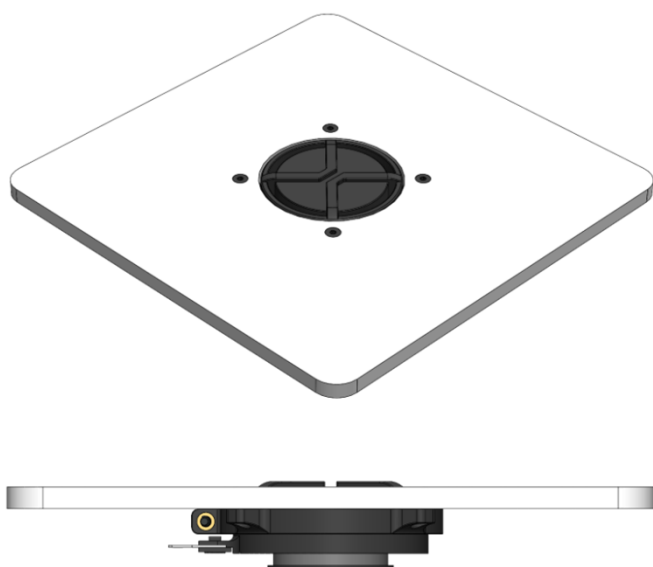
Total Weight [g]	9
Outer Diameter [mm]	77.5
Outer Ring Diameter [mm]	62.5
Inner Ring Diameter [mm]	54.0
Total Height [mm]	7
Mounting Diameter [mm]	70.0
Cutout Diameter [mm]	56.0
Mounting Holes	4
Mounting Thread Size	M3
Included Screw Type	M3x12 [4pcs]



Installation Recommendation



Mounting Option Bottom



Mounting Option Top

